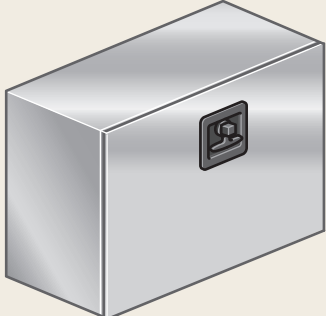
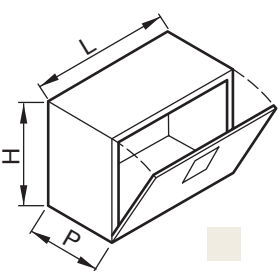
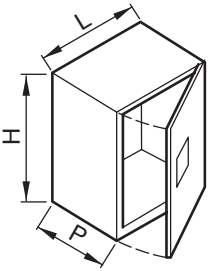
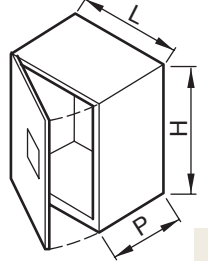
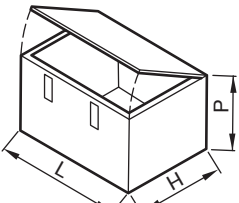
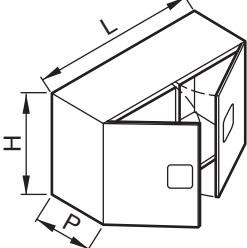
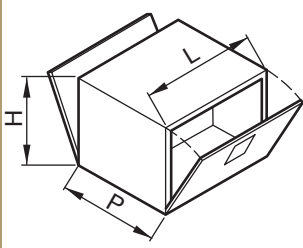

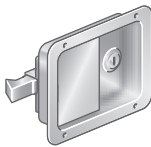



Ordine: Order:	Offerta: Offer:	Cliente: Customer:	Data: Date:
--------------------------	---------------------------	------------------------------	-----------------------

	<p>Standard</p> 	<p>Lat. dx / Right side</p> 	<p>Lat. sx / Left side</p> 
	<p>Apertura a baule chiusura a laccio lucchettabile Case opening with lockable closing</p>  <p>Fondo girato Turned bottom</p> <p>Fondo standard Standard bottom</p>	<p>2 sport / 2 doors</p> 	<p>Bilat. / Double-side</p> 

 <p>Chiusura PVC nera con chiave Black PVC key-lock</p>	 <p>Chiusura tipo frigo con chiave Refrigerator-type key-lock</p>	 <p>Chiusura Europa INOX Padlock-type closing</p>	<p>L= _____</p> <p>P= _____</p> <p>H= _____</p>	<p>Materiale: / Material:</p> <p>Lam. Fe/Zn: Sheet metal Fe/Zn:</p> <p>Lam. inox: Sheet metal stainless st.:</p> <p>Lam. inox fiorettato: Sheet metal anti-reflex stainless st.:</p> <p>Alluminio: Alu sheet:</p>	<p>Spessore: / Thickness:</p> <table border="1"> <tr> <td>8/10</td> <td>15/10</td> </tr> <tr> <td>10/10</td> <td>20/10</td> </tr> <tr> <td>12/10</td> <td>30/10</td> </tr> </table>	8/10	15/10	10/10	20/10	12/10	30/10
8/10	15/10										
10/10	20/10										
12/10	30/10										
<p>OPZIONI</p> <p>Cerniera continua / Continuous hinge <input type="checkbox"/></p> <p>Ripiano centrale / Central shelf <input type="checkbox"/></p> <p>(indicare distanza da sotto) / (note the distance from below) _____</p> <p>Divisoria verticale / vertical partition <input type="checkbox"/></p> <p>Con guarnizione / with seal <input type="checkbox"/></p>	<p>Data di consegna: / Delivery date: _____</p> <p>Codice: / Code: _____</p>	<p>Quantità: / Quantity: _____</p>									

<p>Eventuale scritta su sportello / Possible writing on the door:</p> <hr/>	<p>Note produttive: / Manufacturing features:</p> <p>L < 800 1ch L > 800 2ch L > 1500 < 2000 3ch L > 2000 4ch</p> <p>Sp. lamiera consigliato in funzione del Volume Sheet metal thickness recommended according to volume</p> <p>Calcolo Volume cassetta Box volume calculation</p> <p>Le misure vanno espresse in dm Measures must be indicated in dm (Es:800mm = 8dm; Ex:800mm = 8dm)</p> <p>Vol.=dm³ < 160 sp = 8/10 Vol.=dm³ > 160 < 300 sp = 10/10 Vol.=dm³ > 300 < 500 sp = 12/10 Vol.=dm³ > 500 < 800 sp = 15/10 Vol.=dm³ > 800 sp = 20/10</p>
<p>NOTE / NOTE:</p>	<p>Timbro e firma per approvazione Stamp and signature for approval</p>